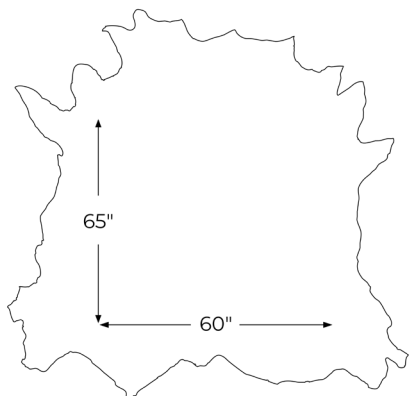




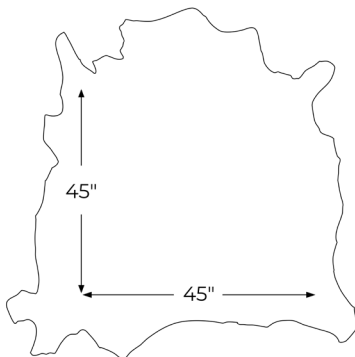
# CTL LEATHER

A Garrett Leather Company

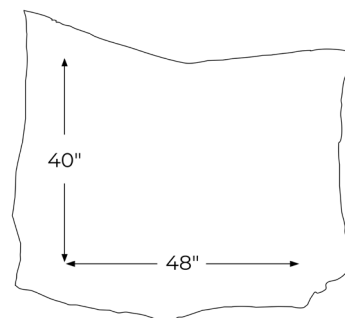
## HIDE RENDERING GUIDE



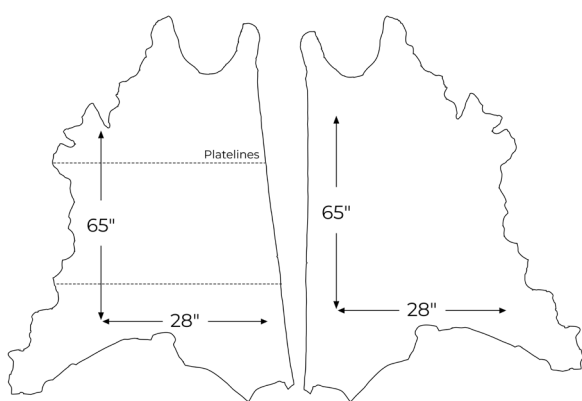
Cowhide  
50sqft



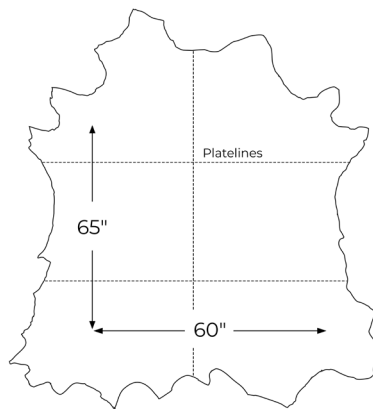
Buffalo Hide (Kip)  
35sqft



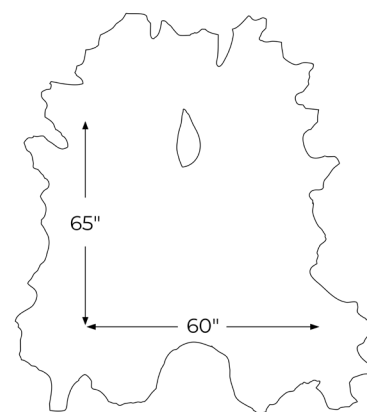
Double Shoulder  
17sqft



1/2 Hide Embossed  
28sqft  
with and without platelines



Full Hide Embossed  
50sqft  
with platelines across full hide



Brahma Cowhide  
50sqft  
with neck hole

Hide shape and dimensions are for illustration purposes only.