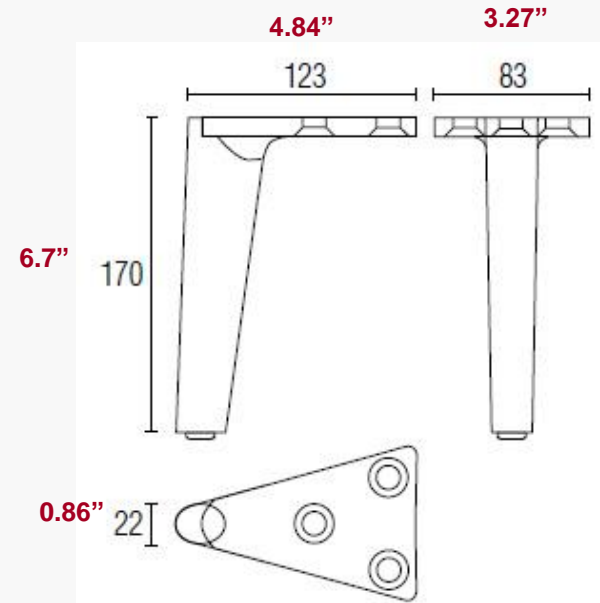


PINE



PART #	MATERIAL	FINISH	HEIGHT	PACK SIZE
20APIN1L170S	ALUMINUM	POLISH	6.7" (170mm)	24PCS
20APIN1O170S	ALUMINUM	MATTE	6.7" (170mm)	24PCS
20APIN1BO170S	ALUMINUM	MATTE BLACK	6.7" (170mm)	24PCS

LEGEND

80 = measurement in millimeters

4" = measurement in inches